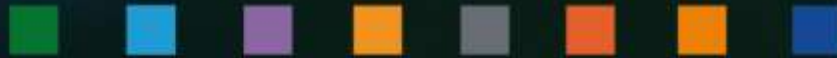


DOSATRON®



L'innovation naît de l'expérience
Innovation born out of experience



DOSATRON®

WATER POWERED DOSING TECHNOLOGY



**D30GL High Flow
Proportional Dosing Pump**
2014.11 EIMA



Accudyne

DOSATRON®

D30GL SPECIFICATIONS

L'innovation naît de l'expérience

Innovation born out of experience



SPECIFICATIONS

- **Injection Range :**
0.02 -1 %
[1 : 5000 – 1 : 100]
- **Water flow range :**
8m³/h – 30m³/h
[133.3 l/mn – 500 l/mn]
[40 US GPM – 140 US GPM]
- **Operating pressure :**
0.5 – 6 bar
[7.25 PSI – 87 PSI]
- **Concentrated additive injection:**
1.6 – 300 l/h
[0.9 Fl. oz/min – 1.32 US GPM]



SPECIFICATIONS

- Dosing technique:
Non-electric proportional

- Energy source:
Water flow and pressure

- Integrated functions:

- **Metering:** volumetric hydraulic motor
- **Injecting:** continuous proportional injection of liquid or soluble concentrate
- **Regulating :** proportionality servo-controlled by the water flow
- **Mixing :** integrated mixing



DOSATRON®



D30GL Components



*L'innovation naît de l'expérience
Innovation born out of experience*

COMPONENTS



D30GL without Ec Reader



2 x Flanges



Connection hose

Regulator guide

Dosatron regulator

Accudyne

Thread 3" ♂

DOSATRON®

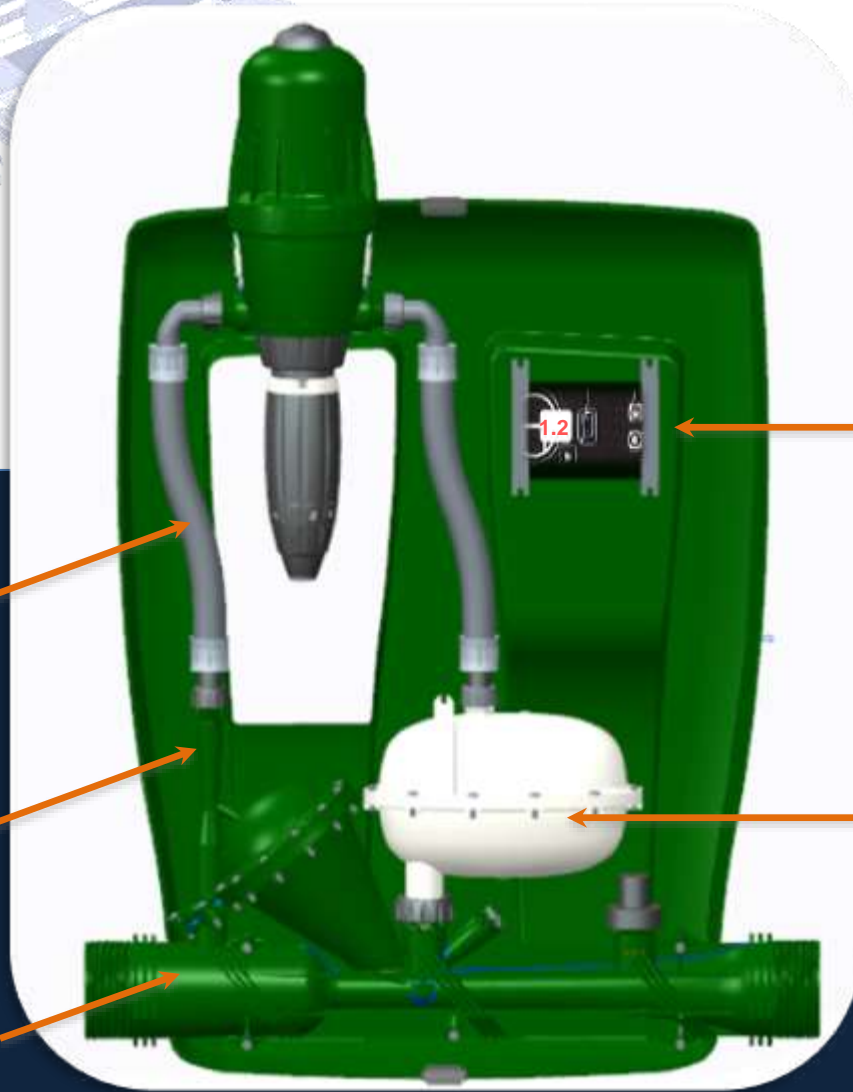
COMPONENTS



D30GL with Ec Reader



2 x Flanges



Connection hose

Regulator guide

Dosatron regulator

Ec Reader

Accudyne

Mixing chamber

Thread 3" ♂

DOSATRON®

COMPONENTS



D30GL with Ec Reader

- Carter: special polypropylene, HT
- Motor Piston: polypropylene, polyamide, VF or HT, peek, PVDF
- Injection area: polypropylene, polyethylene, hastelloy (check valve spring)
- Injection hose: PVC or polyethylene
- Regulator tube: polyamide
- Casing: PMMA–UV resistant
- Mixing chamber: polypropylene
- Ec Reader: PVC
- Connection hose: EPDM



DOSATRON®

D30GL IN OPERATION

L'innovation naît de l'expérience

Innovation born out of experience



IN OPERATION



D30GL with Ec Reader



Accudyne

DOSATRON®

DOSATRON®

D30GL SPECIFICATIONS



L'innovation naît de l'expérience
Innovation born out of experience

SPECIFICATIONS D30GL



GENERAL	D30GL02	D30GL1
Externally adjustable injection rate: % Ratio	0.02 – 0.2% 1 : 5000 - 1 : 500	0.1 – 1% 1 : 1000 – 1 : 100
Concentrated additive injection: Mini l/h – Maxi l/h Mini US Fl.oz/min Maxi US GPM	1.6 – 60 0.9 0.25	8 – 300 4.5 1.32
Practical operating flow range: 8m3/h mini. [40 US GPM] – 30 m3/h maxi. [140 US GPM]		
Operating pressure: 0.5 – 6 bar [7.25 – 87 PSI]		
Shipping contents: 1 Dosatron / 1 transparent suction tube of concentrated additive / 1 strainer 2 flanges DN80 ISO / 1 EC reader + probe		
Package size: 106 x 69 x 26 cm [41''47/64 x 27''11/64 x 10''15/64]		
Package weight: ± 19 kg [≈ 41.88 US lbs]		
Minimum / Maximum operating temperature: 5° C [41° F] 40° C [104° F]		
Pressure loss: 0.4 – 1.8 bar [5.8 – 26.1 PSI] (charts on demand)		
Average dosing accuracy: ± 10% (charts on demand)		
Repeatability: ± 3 % (charts on demand)		



SPECIFICATIONS D30GL



OTHER INTEGRATED FUNCTIONS

D30GL02

D30GL1

Connections: (inlet/outlet) \varnothing 80 x 90 mm - 3''M – BSP + DN80 ISO flanges

Built-in By-pass: yes

Built-in air bleeder: no

Built-in anti-siphon device: yes

Motor: Differential Hydraulic Piston + Dosatron Regulator

Hydraulic motor capacity: \approx 0.53 l [0.14 US Gallons] (1 cycle)

Ec Reader: yes



→ Caractéristiques techniques	
	Algospeed® Flo EV à 1,5 g/L (soit 1 sachet/500 L d'eau)
Conductivité EC en mS/cm	1,25



DOSATRON®

Installation

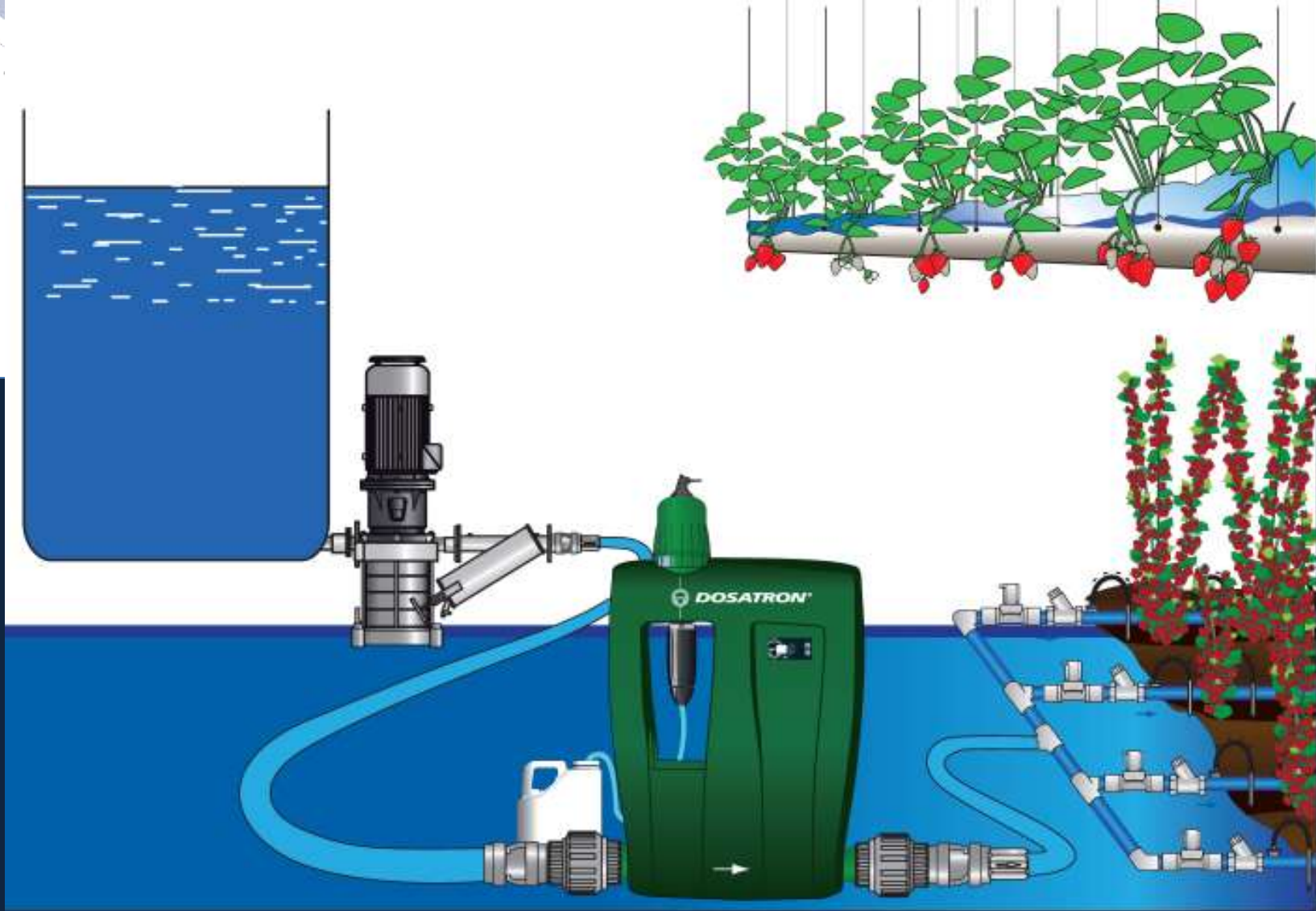


L'innovation naît de l'expérience
Innovation born out of experience

Installation type



DOSATRON®



DOSATRON®

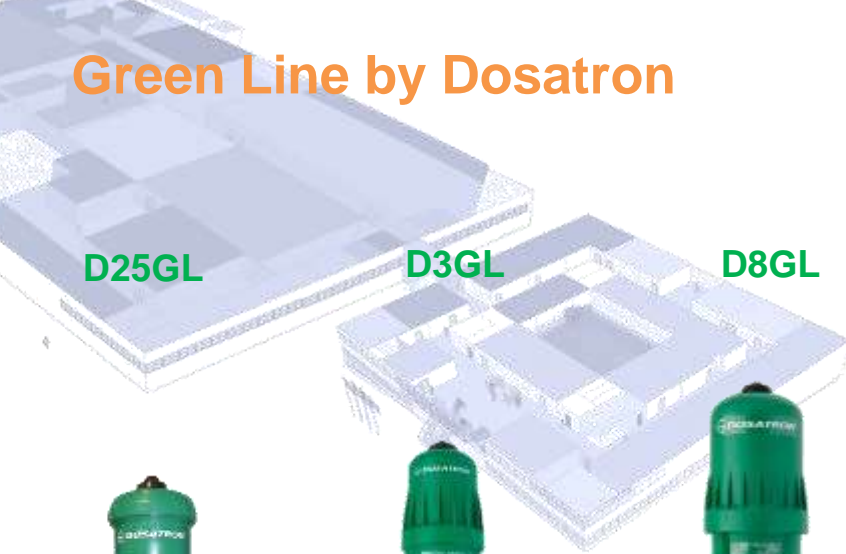


Green Line by Dosatron



L'innovation naît de l'expérience
Innovation born out of experience

Green Line by Dosatron



D25GL

D3GL

D8GL



D20GL



D30GL



0.2 – 2 %
 [1 : 500 – 1 : 50]
0.3 - 6 bar
 [4.3 PSI – 87 PSI]
10 l/h – 2.5 m³
 [1/3 US Pint / min – 11 US GPM]

0.2 – 2 %
 [1 : 500 – 1 : 50]
0.15 - 8 bar
 [2 PSI – 110 PSI]
500 l/h – 8 m³
 [2.2 US GPM – 40 US GPM]

0.02 – 1 %
 [1 : 5000 – 1 : 100]
0.5 - 6 bar
 [7.25 PSI – 87 PSI]
8 m³– 30 m³
 [40 US GPM – 140 US GPM]

0.2 – 10 %
 [1 : 500 – 1 : 10]
0.3 - 6 bar
 [4.3 PSI – 87 PSI]
10 l/h – 3 m³
 [1/3 US Pint / min – 50 US GPM]

0.2 – 2 %
 [1 : 500 – 1 : 50]
0.12 - 10 bar
 [2 PSI – 120 PSI]
1 m³ – 20 m³
 [5 US GPM – 100 US GPM]

DOSATRON®

D30GL MODELS



Accudyne

D30GL02 / D30GL1

0.02 – 0.2 %

[1 : 5000 – 1 : 500]

0.5 - 6 bar

[7.25 PSI – 87 PSI]

8 m³– 30 m³

[133.3 l/mn – 500 l/mn]

[40 US GPM – 140 US GPM]

D30GL02EC / D30GL1EC

0.1 – 1 %

[1 : 5000 – 1 : 500]

0.5 - 6 bar

[7.25 PSI – 87 PSI]

8 m³– 30 m³

[133.3 l/mn – 500 l/mn]

[40 US GPM – 140 US GPM]

Batteries status

Measurement reading



Calibration

DOSATRON®

Charts



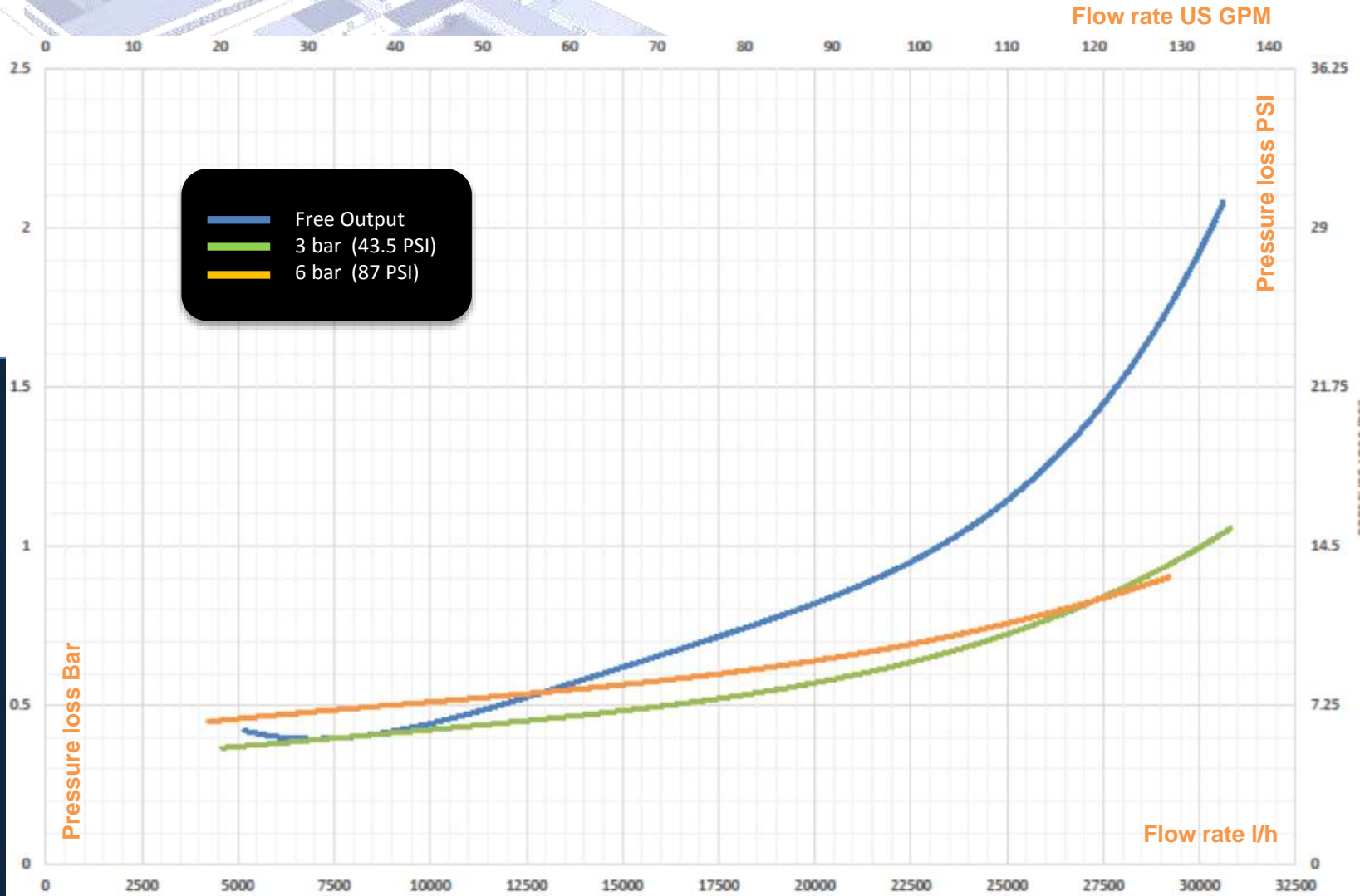
L'innovation naît de l'expérience
Innovation born out of experience

D30GL02

Pressure Loss

Tous droits réservés

Il est strictement interdit de copier, modifier ou de diffuser ce document sans l'accord préalable écrit de DOSATRON INTERNATIONAL S.A.S



DOSATRON®

D30GL1

Pressure Loss

Tous droits réservés

Il est strictement interdit de copier, modifier ou de diffuser ce document sans l'accord préalable écrit de DOSATRON INTERNATIONAL S.A.S

